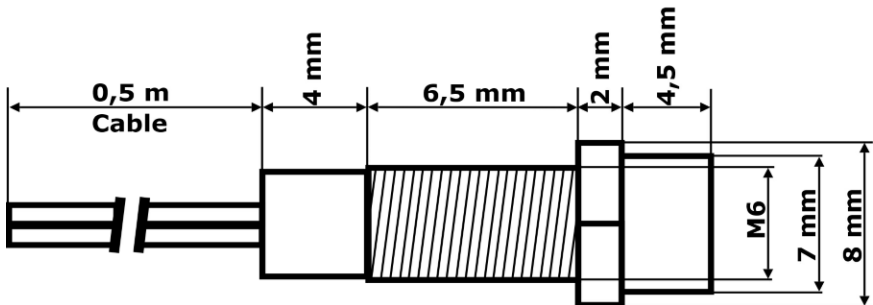
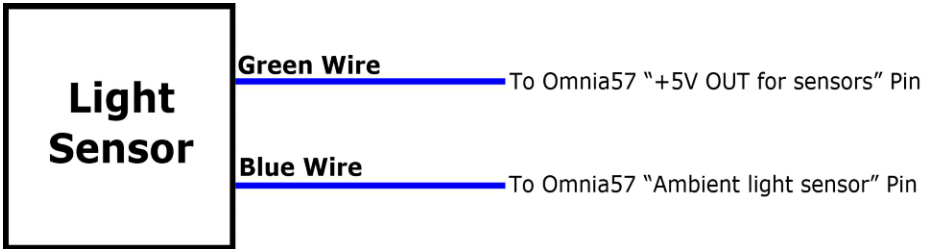


## Dimensions for Light sensor cod.105800



## Electrical connections for Light sensor cod.105800



### *Technical specifications*

<i>Viewing Angle</i>	150 °
<i>Wavelength</i>	570 nm
<i>Operating temperature</i>	-20 ~ +70 °C
<i>Cable length</i>	50 Cm