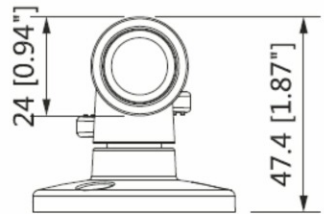
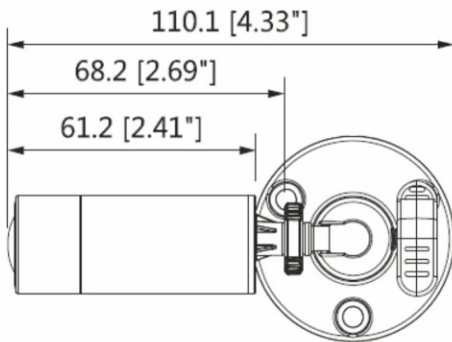


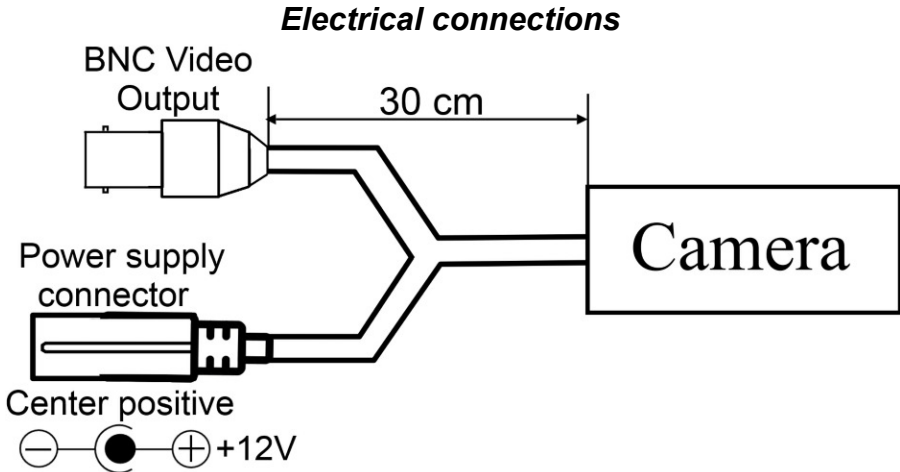
### Mechanical dimensions for Color Camera cod. 601070

#### Dimensions:

All measures are in mm [Inch]



**Electrical installation for Color Camera cod. 601070**



**Technical specifications**

<i>Power supply</i>	+12 VDC
<i>Power consumption</i>	50 mA
<i>Sensor type</i>	Cmos 1/2.9"
<i>Resolution</i>	1280 X 720
<i>Operating temperature</i>	-40 ~ +60 °C
<i>Cable length</i>	30 Cm
<i>IP degree of protection</i>	IP67
<i>Weight</i>	100 g
<i>FOV</i>	90°