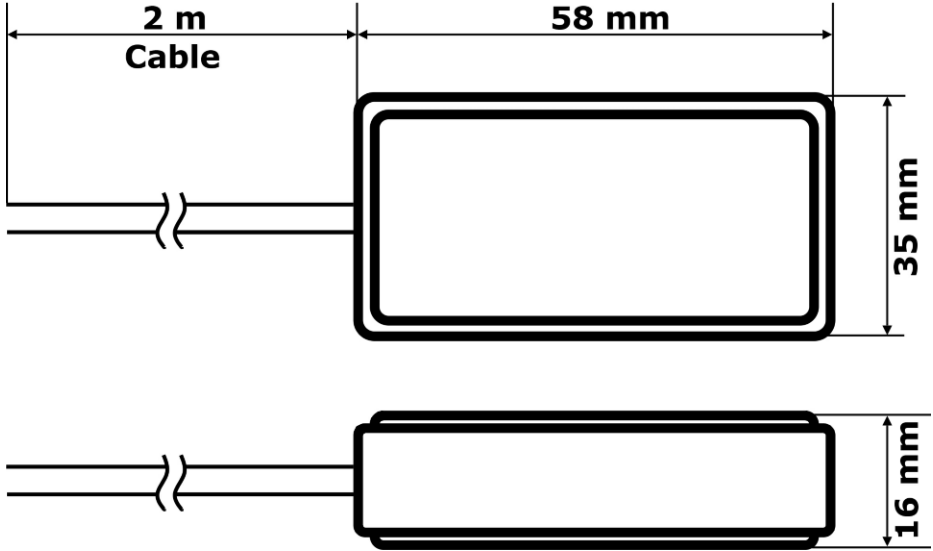


Dimensions for Vigilus GPS cod.654000



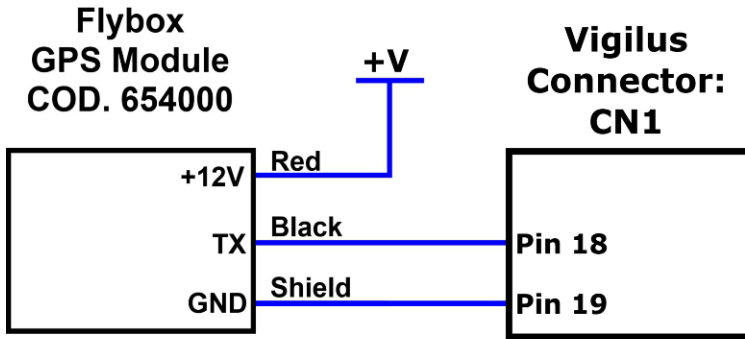
Electrical installation for Vigilus GPS cod.654000

The Flybox® GPS has one shielded wire with two poles:

RED WIRE: +12V positive supply

BLACK WIRE: GPS TX signal (connect to pin#18 of of Vigilus connector CN1)

SHIELD: Ground shield (connect to pin#19 of Vigilus connector CN1)



Electrical connections

<i>RED wire</i>	<i>Positive supply +12V</i>
<i>BLACK wire</i>	<i>Signal out</i>
<i>Copper shield</i>	<i>Ground GND supply</i>

Technical specifications

<i>Power supply</i>	<i>8 ~ 16 VDC</i>
<i>Power consumption</i>	<i>44 mA</i>
<i>Humidity range</i>	<i>5 ~ 95 % non condensing</i>
<i>Operation temperature</i>	<i>-40 ~ +85 °C</i>
<i>Dimensions</i>	<i>35 x 58 x 16 mm</i>
<i>Cable length</i>	<i>2 m</i>
<i>Receiver characteristics</i>	<i>SiRF Star IV</i>
<i>Signal out</i>	<i>RS232 electrical level, 4800bps</i>
<i>Output messages</i>	<i>NMEA0183 GGA, GSA, RMC</i>