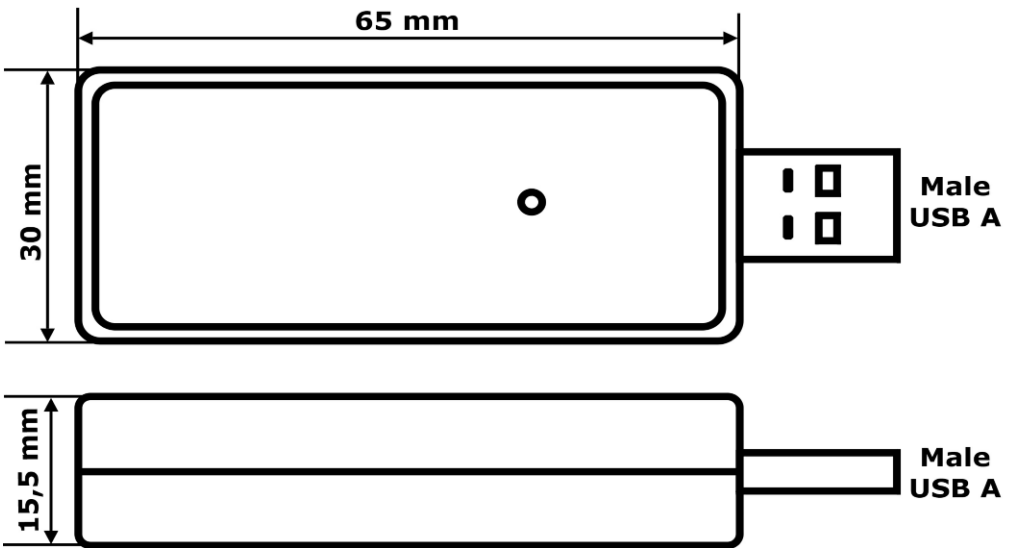
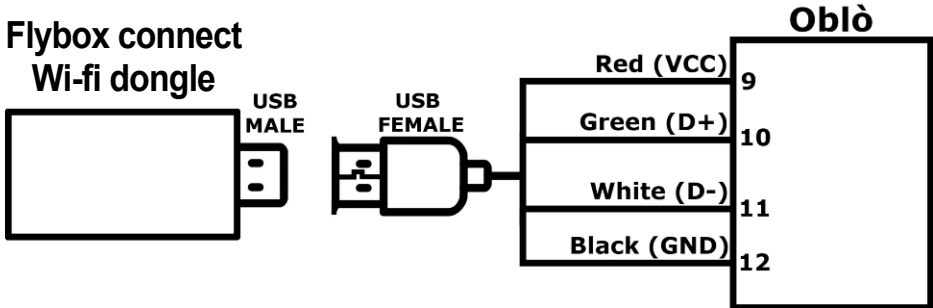


## Dimensions for Flybox connect Wi-fi dongle cod.802020



## Electrical connections for Flybox connect Wi-fi dongle cod.802020



### Technical specifications

Power supply	5V (Powered from USB interface with power-on green LED)
Power consumption	170 mA
USB interface	full-speed compatible to the USB 2.0
Wi-Fi protocols	802.11 b/g/n
Frequency range	2.4 GHz ~ 2.5 GHz (2400M ~ 2483.5M)
Operating temperature	-20 ~ +70 °C