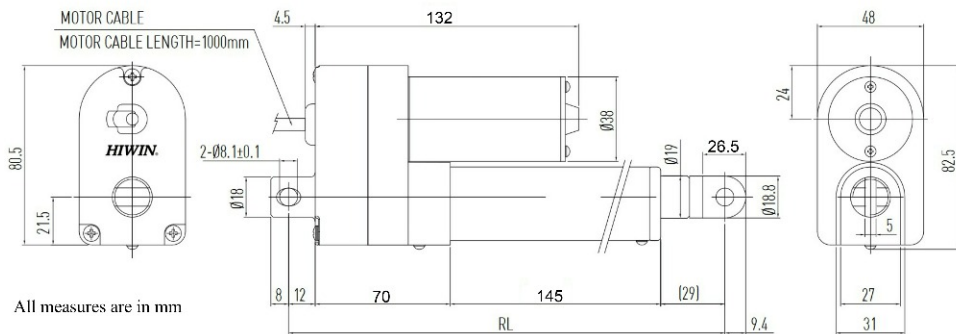
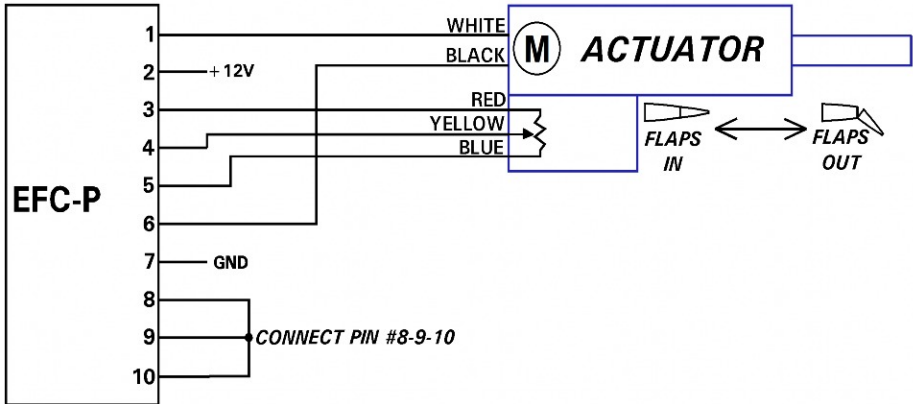


Dimensions for Linear Actuator cod.105000



Electrical connections for Linear Actuator cod.105000



In case of inverse mechanical installation (actuator in--flaps out / actuator out--flaps in) it's required to swap red wire with blue wire and swap white wire with black wire

Technical specifications

Power supply	+12 VDC
Current max	6 A
Output signal	High level 12VDC Low level 0.2V / 10mA sink (PNP)(NPN)
Operating temperature	-10 ~ +40 °C
Stroke length	100 mm
IP degree of protection	IP54
Weight	1.27 kg
Speed	8/12 mm/s
Thrust and Pulling max	1200 N
Holding max	800 N
Potentiometer Resolution	21 OHM/mm