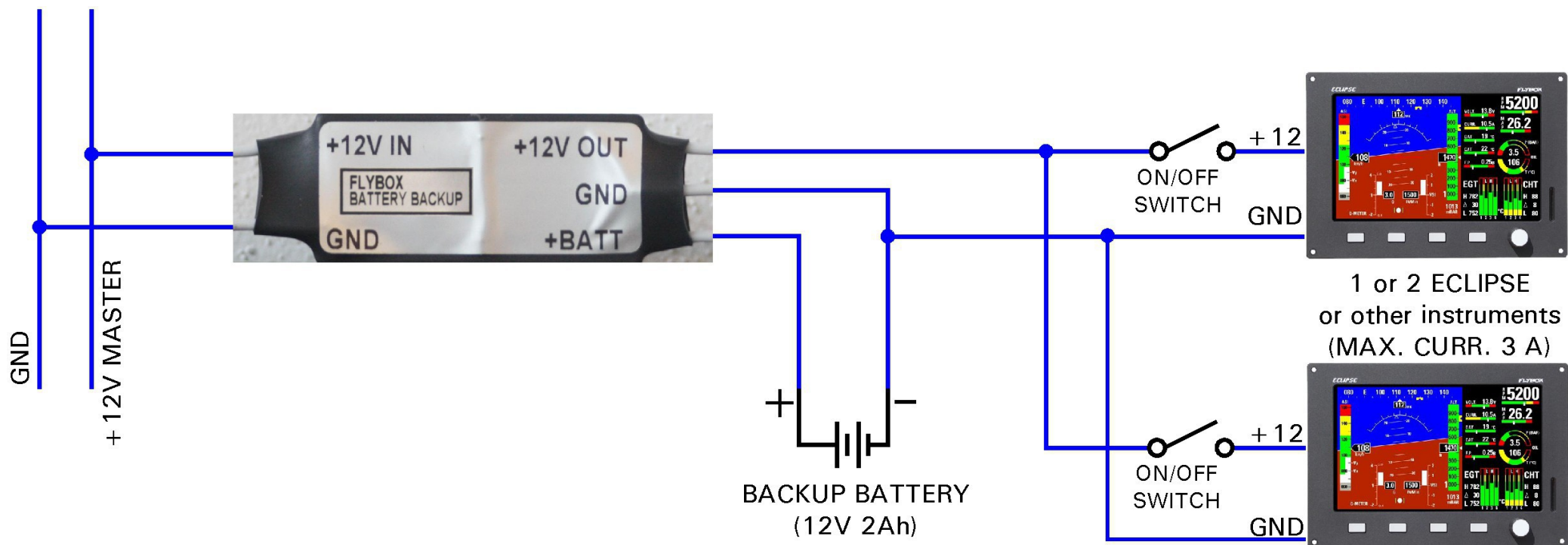


**FLYBOX® Battery Backup**  
**Installation and operating manual**  
Ver.1.1, 20/3/2012

This device keeps the power to the connected electrical instruments when missing the main power and during engine ignition. Must be connected to a backup battery (12V 2A, available on request) that is automatically charged when the main power is present. If main power fails the electrical instruments continue to work for a certain amount of time.

**1. Electrical connections**



**NOTES:**

- **Use only rechargeable lead acid battery.**

- After connecting the backup battery, be careful not to short circuit any wires. Leave as the last thing the connection between the battery positive terminal and the "+12V OUT" wire, because the device will immediately supply the voltage on the output (" +12V OUT" wire).

- If you connect the Flybox Eclipse the connections are: "+12V OUT" wire to pin#1 of CON1 ECLIPSE connector; GND to pin#2 of the same connector.

- With a backup battery in good conditions and fully charged, the autonomy is about 1 hour with one ECLIPSE connected or 30 minutes with two ECLIPSE connected.

- If you connect other instruments be careful to not exceed the maximum supply current of 3 Amperes.

- To keep the backup battery in good condition, never let it discharge completely.

- The backup battery is automatically charged with maintenance current when supply voltage is furnished to the "+12V IN" wire. Never connect a backup battery that is completely discharged to avoid damage to the device. Completely discharged batteries must be charged with battery-charger before using it.

## 2. Technical specifications

- Connections through aeronautic cables, 20 cm length
- Dimensions: 70 x 25 x 8 mm
- Operating temperature range: -20~+70°C
- Supply voltage: 12 ~ 15 V=
- Max current supplied to the connected instruments: 3 Ampere
- Supply current (device only): 110 uA (microAmpere)

## 3. Warranty

This product is warranted to be free from defects for a period of 12 months from the user invoice date.

The warranty only covers manufacturer defects and shall not apply to a product that has been improperly installed, misused or incorrect maintenance, repaired or altered by non-qualified persons.

### **MICROEL s.r.l.**

Via Mortara 192-194

Robbio (PV) - ITALY

Tel +39-0384-670602 - Fax +39-0384-671830

[www.flyboxavionics.it](http://www.flyboxavionics.it)

*Microel s.r.l. reserves the right to change or improve its products. Information in this document is subject to change without notice.*

WARNING: All photos, data, drawings, instruments layouts, technical solutions and data representation you find in this document or watching at FLYBOX® instruments working and/or you can access by means of any other media, including web sites, are sole property of MICROEL SRL, cannot be copied or imitate without a written permission of MICROEL SRL itself and are protected by law, even by means of extended international copyright and/or specific patents deposited. Any infringement of this statement and of MICROEL SRL intellectual property will be prosecuted.

©2012 Microel s.r.l. - all rights reserved.